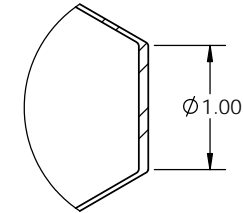
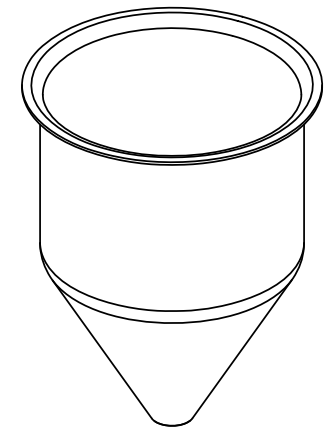
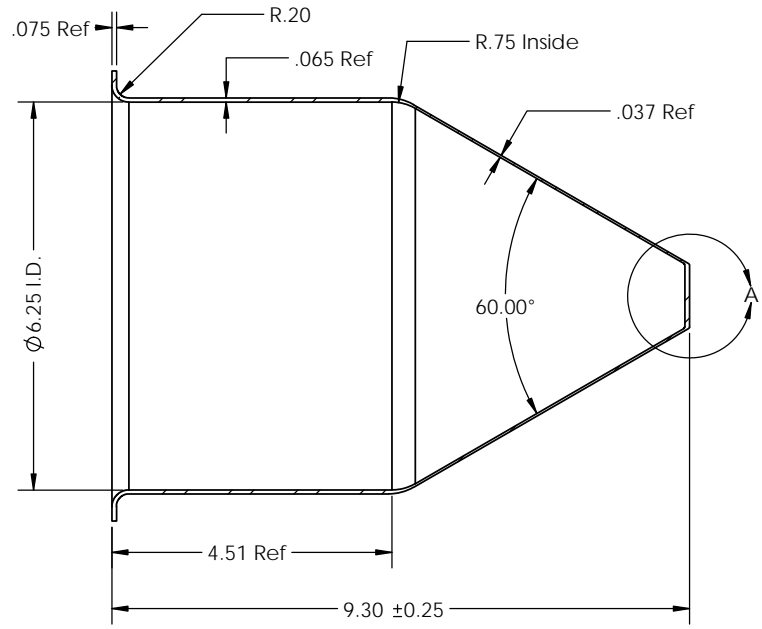
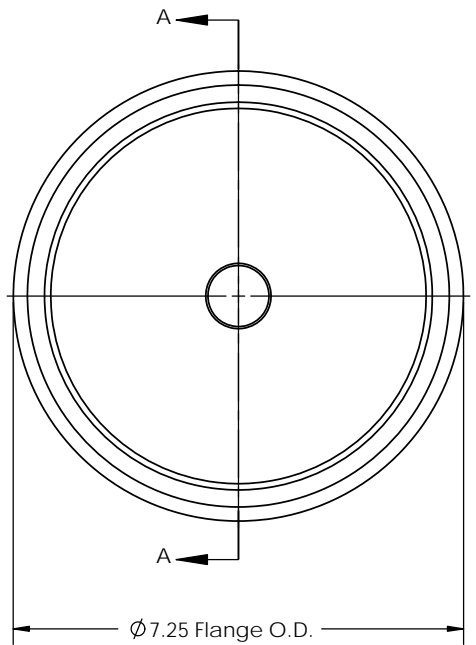


1 2 3 4 5 6 7 8 9 10 11 12 13 14 15 16 17 18

A
B
C
D
E
F
G
H
I

REVISIONS				
ZONE	REV.	DESCRIPTION	DATE	APPROVED
	0 - 1	Changed side wall length from 4.60" to 4.69".	01/19/10	
	2	Changed side wall length from 4.69" to 4.51". Changed diameter of flat from 1.11" to 1.0".	07/20/12	



Calculated Volume: 0.8 Gal / 185 In³
Approximate Surface finish Ra 80



TOLEDO METAL SPINNING COMPANY

1819 Clinton Street, Toledo, OH 43607
Tel:(419) 535-5931, Fax: (419) 535-0565
www.toledometal spinning.com

PART NO: TMS6414	DATE: 07/20/2012
DESCRIPTION: 6" hopper with 4" straight wall.	DRAWN BY: D.J.
MATERIAL: 304 SS 14 GA	REV. 02

Unless otherwise specified:
1. Tolerances:
X. ±0.25 X.XXX ±0.005
X.X ±0.12 X.XXXX ±0.001
X.XX ±0.03 Ang. ±1°
2. All dimensions are in inches
3. Break all edges with R1/32" to R1/16"