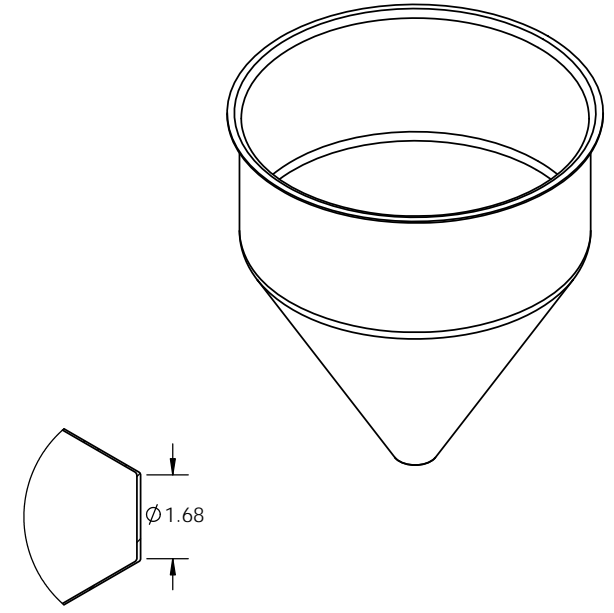
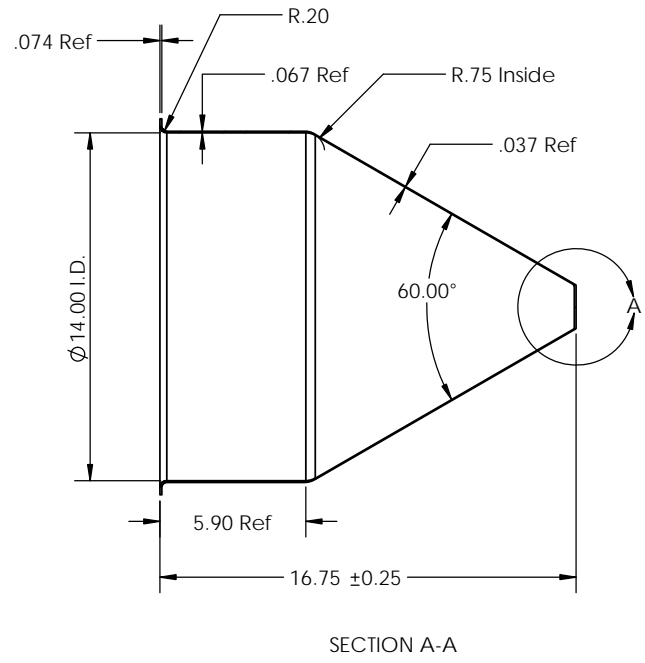
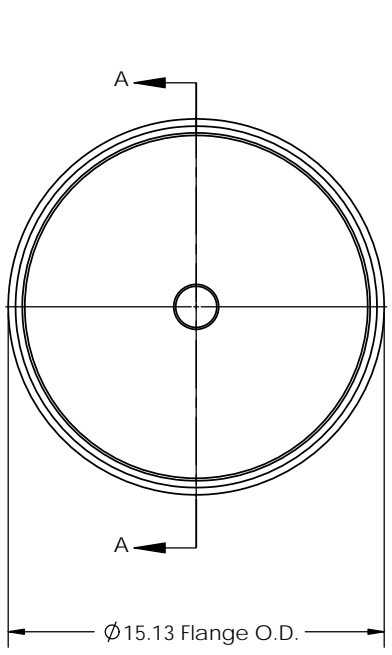


1 2 3 4 5 6 7 8 9 10 11 12 13 14 15 16 17 18

A
B
C
D
E
F
G
H
I

REVISIONS				
ZONE	REV.	DESCRIPTION	DATE	APPROVED
	1	Changed OAH from 16.4" to 16.75"	01/21/12	
	2	Change diameter of flat from 1.86" to 1.68"	04/10/12	



DETAIL A
SCALE 2 : 5

Calculated Volume: 6.4Gal / 1483 In³
Approximate Surface Finish Ra 80



TOLEDO METAL SPINNING COMPANY

1819 Clinton Street, Toledo, OH 43607
Tel:(419) 535-5931, Fax: (419) 535-0565
www.toledometal spinning.com

PART NO.:	TMS14514	DATE:	04/10/2012	Unless otherwise specified: 1. Tolerances: X. ±0.25 X.XXX ±0.005 X.X ±0.12 X.XXXX ±0.001 X.XX ±0.03 Ang. ±1° 2. All dimensions are in inches 3. Break all edges with R1/32" to R1/16"
DESCRIPTION:	14 Inch Hopper With 5 Inch Straight Wall	DRAWN BY:	L.F.	
MATERIAL:	304 SS 14 Ga	REV.	02	