

PART # SS 304	PART # SS 316	OLD PART #	VOLUME (GALLONS)	A	B	C	D	E	F	G
100000	101000	TMS4316	0.2	3.91	4.38	2.98	6.00	0.03	0.05	0.50
100001	101001	TMS6414	0.8	6.25	7.25	4.51	9.30	0.04	0.07	1.00
100002	101002	TMS9314	1.5	8.85	10.02	2.80	9.30	0.04	0.07	1.68
100003	-	TMS9914	3.0	8.85	10.02	8.50	15.00	0.04	0.07	1.68
100004	101004	TMS12714	4.9	11.85	13.00	7.10	16.13	0.04	0.07	1.68
100005	-	TMS121114	6.7	11.85	13.00	10.77	19.80	0.04	0.07	1.68
100006	101006	TMS14514	6.4	14.00	15.13	5.90	16.75	0.04	0.07	1.68
100007	-	TMS141214	10.5	14.00	15.13	11.72	22.50	0.04	0.07	1.68
100008	101008	TMS16314	7.3	16.00	17.26	3.29	16.25	0.04	0.07	1.68
100009	-	TMS16914	12.0	16.00	17.26	8.80	21.75	0.04	0.07	1.68
100010	101010	TMS20514	14.7	19.93	21.19	4.33	21.00	0.04	0.07	1.68
100011	-	TMS201014	21.0	19.93	21.19	9.23	25.50	0.04	0.07	1.68
100012	-	TMS221014	23.0	21.09	22.50	8.33	26.00	0.04	0.07	1.68
100013	101013	TMS24614	25.5	24.00	25.25	5.31	25.50	0.04	0.07	1.68
100014	-	TMS24914	30.5	24.00	25.25	8.41	28.50	0.04	0.07	1.68
100015	101015	TMS32111	33.0	31.83	N/A	1.00	27.34	0.06	0.09	1.60
100016	101016	TMS36111	51.1	36.06	N/A	1.00	30.90	0.06	0.09	1.60

**NOTES UNLESS OTHERWISE SPECIFIED**

- PART IS SEAMLESS, FORMED FROM STAINLESS STEEL SHEET METAL CONTAINING NO WELDS.
- FINISH: AS PRODUCED FROM FORMING PROCESSES.
- PART # 100016, 101016, 100015, & 101015 HAS NO FLANGE.
- ALL HOPPERS CAN HAVE A ROLLED AND WELDED CYLINDER ADDED TO INCREASE THE STRAIGHT WALL LENGTH, WITH OR WITHOUT A FLANGE.
- DIMENSIONS ARE IN INCHES.
- NO SHARP EDGES OR BURRS.

Price or purchase online at  
[www.toledometal spinning.com](http://www.toledometal spinning.com)  
 or contact sales at 419-214-3245 or  
[sales@toledometal spinning.com](mailto:sales@toledometal spinning.com)

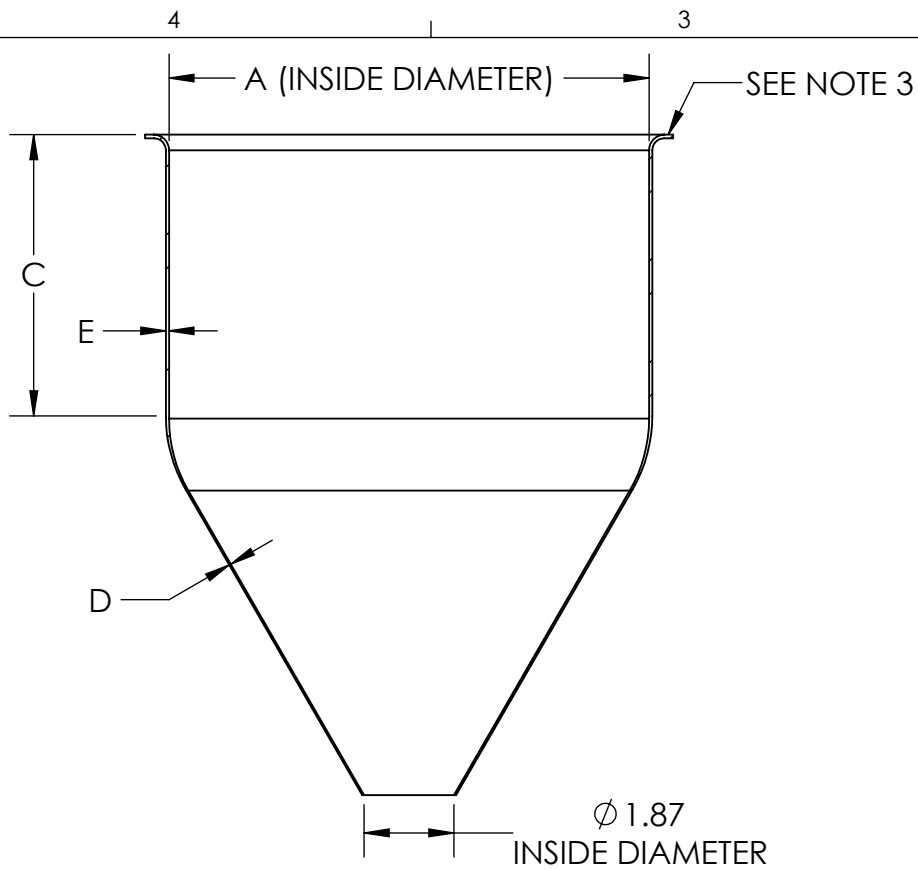
**TOLEDO METAL SPINNING EST. 1929**

TITLE:  
SEAMLESS STAINLESS STEEL HOPPERS

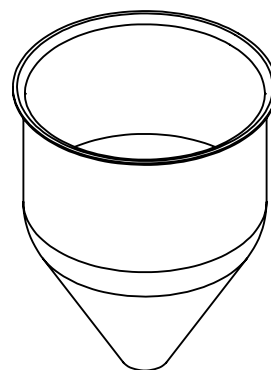
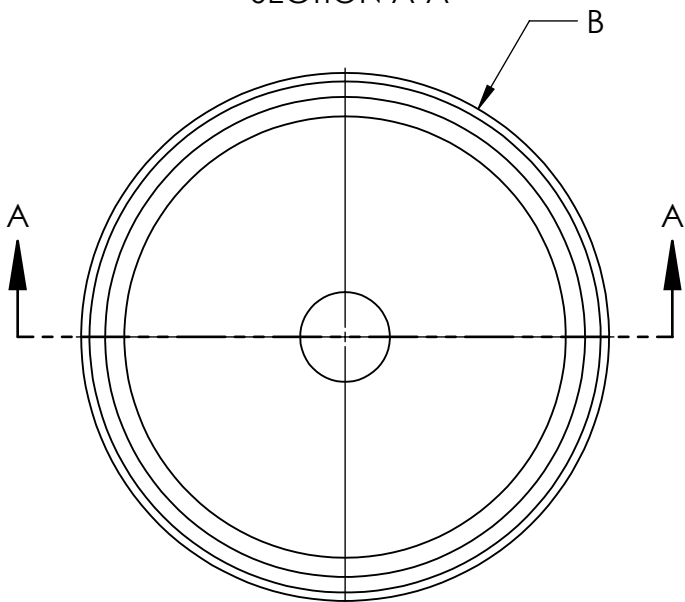
SIZE | DRAWING NUMBER  
A | **801D001**

FOR REFERENCE ONLY

SHEET 1 OF 1



SECTION A-A



ISOMETRIC VIEW

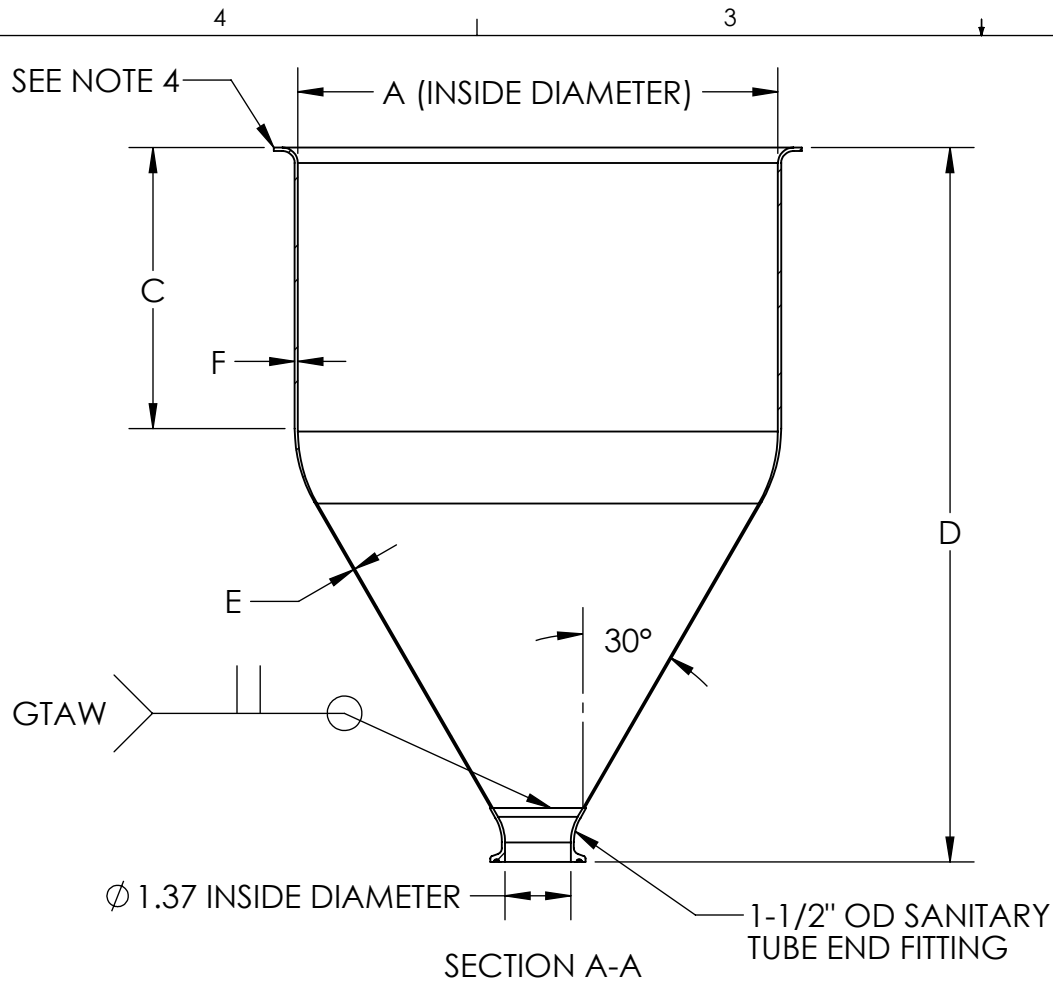
PART # SS 304	PART # SS 316	OLD PART #	Volume (Gallons)	A	B	C	D	E
8010006	8010007	TMS4316	0.2	3.91	4.38	2.98	0.03	0.05
8010014	8010015	TMS6414	0.8	6.25	7.25	4.51	0.04	0.07
8010022	8010023	TMS9314	1.5	8.85	10.02	2.80	0.04	0.07
8010030	-	TMS9914	3.0	8.85	10.02	8.50	0.04	0.07
8010038	8010039	TMS12714	4.9	11.85	13.00	7.10	0.04	0.07
8010046	-	TMS121114	6.7	11.85	13.00	10.77	0.04	0.07
8010054	8010055	TMS14514	6.4	14.00	15.13	5.90	0.04	0.07
8010062	-	TMS141214	10.5	14.00	15.13	11.72	0.04	0.07
8010070	8010071	TMS16314	7.3	16.00	17.26	3.29	0.04	0.07
8010078	-	TMS16914	12.0	16.00	17.26	8.80	0.04	0.07
8010086	8010087	TMS20514	14.7	19.93	21.19	4.33	0.04	0.07
8010094	-	TMS201014	21.0	19.93	21.19	9.23	0.04	0.07
8010102	-	TMS221014	23.0	21.09	22.50	8.33	0.04	0.07
8010110	8010111	TMS24614	25.5	24.00	25.25	5.31	0.04	0.07
8010118	-	TMS24914	30.5	24.00	25.25	8.41	0.04	0.07
8010126	8010127	TMS32111	33.0	31.83	N/A	1.00	0.06	0.09
8010134	8010135	TMS36111	51.1	36.06	N/A	1.00	0.06	0.09

**NOTES UNLESS OTHERWISE SPECIFIED**

1. FINISH: AS PRODUCED FROM FORMING PROCESSES.
2. PART IS SEAMLESS, FORMED FROM SHEET METAL CONTAINING NO WELDS.
3. PART 8010134, 8010135, 8010126, & 8010127 HAS NO FLANGE.
4. ALL HOPPERS CAN HAVE A ROLLED AND WELDED CYLINDER ADDED TO INCREASE THE STRAIGHT WALL LENGTH, WITH OR WITHOUT A FLANGE.
5. DIMENSIONS ARE IN INCHES.
6. NO SHARP EDGES OR BURRS.

Request a quote online at  
[www.toledometal spinning.com](http://www.toledometal spinning.com)  
 or contact sales at 419-214-3245 or  
[sales@toledometal spinning.com](mailto:sales@toledometal spinning.com)

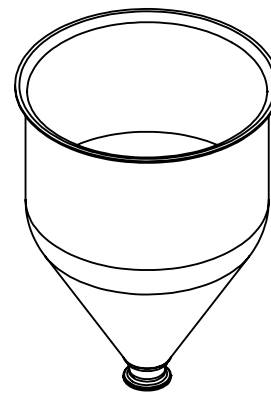
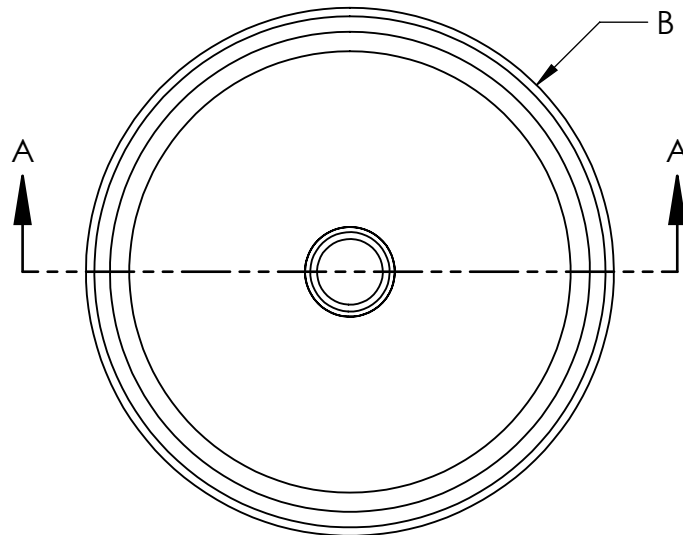
<b>TOLEDO METAL SPINNING</b> EST. 1929	
TITLE: SEAMLESS STAINLESS STEEL FABRICATION READY HOPPERS	
SIZE A	DRAWING NUMBER <b>801D009</b>
FOR REFERENCE ONLY	
SHEET 1 OF 1	



PART # SS 304	PART # SS 316	OLD PART #	Volume (Gallons)	A	B	C	D	E	F
104000	105000	TMS4316	0.2	3.91	4.38	2.98	5.9	0.03	0.05
104001	105001	TMS6414	0.8	6.25	7.25	4.51	9.7	0.04	0.07
104002	105002	TMS9314	1.5	8.85	10.02	2.80	10.2	0.04	0.07
104003	-	TMS9914	3.0	8.85	10.02	8.50	15.9	0.04	0.07
104004	105004	TMS12714	4.9	11.85	13.00	7.10	17.1	0.04	0.07
104005	-	TMS121114	6.7	11.85	13.00	10.77	20.7	0.04	0.07
104006	105006	TMS14514	6.4	14.00	15.13	5.90	17.7	0.04	0.07
104007	-	TMS141214	10.5	14.00	15.13	11.72	23.4	0.04	0.07
104008	105008	TMS16314	7.3	16.00	17.26	3.29	17.2	0.04	0.07
104009	-	TMS16914	12.0	16.00	17.26	8.80	22.7	0.04	0.07
104010	105010	TMS20514	14.7	19.93	21.19	4.33	21.9	0.04	0.07
104011	-	TMS201014	21.0	19.93	21.19	9.23	26.4	0.04	0.07
104012	-	TMS221014	23.0	21.09	22.50	8.33	22.0	0.04	0.07
104013	105013	TMS24614	25.5	24.00	25.25	5.31	26.4	0.04	0.07
104014	-	TMS24914	30.5	24.00	25.25	8.41	29.4	0.04	0.07
104015	105015	TMS32111	33.0	31.83	N/A	1.00	27.0	0.06	0.09
104016	105016	TMS36111	51.1	36.06	N/A	1.00	30.6	0.06	0.09

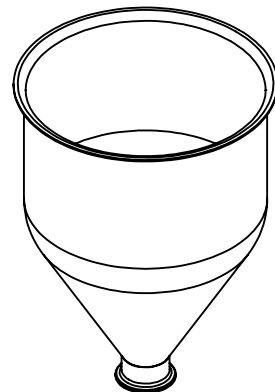
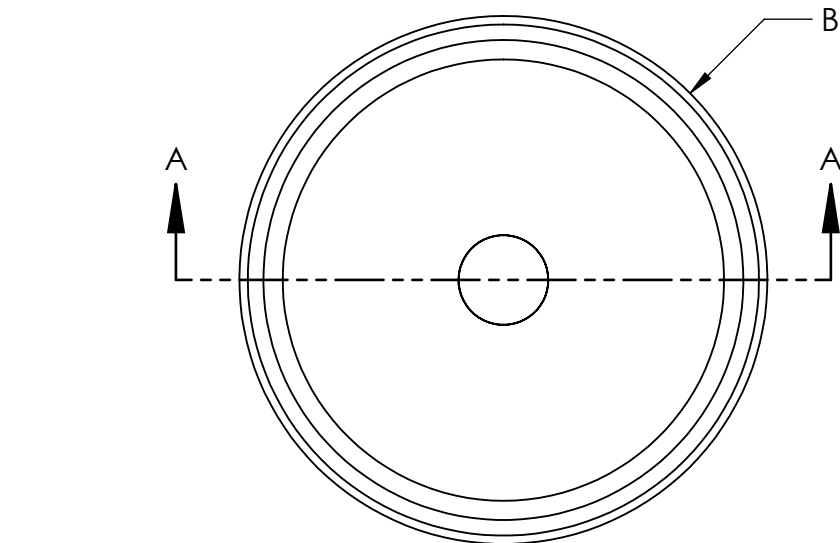
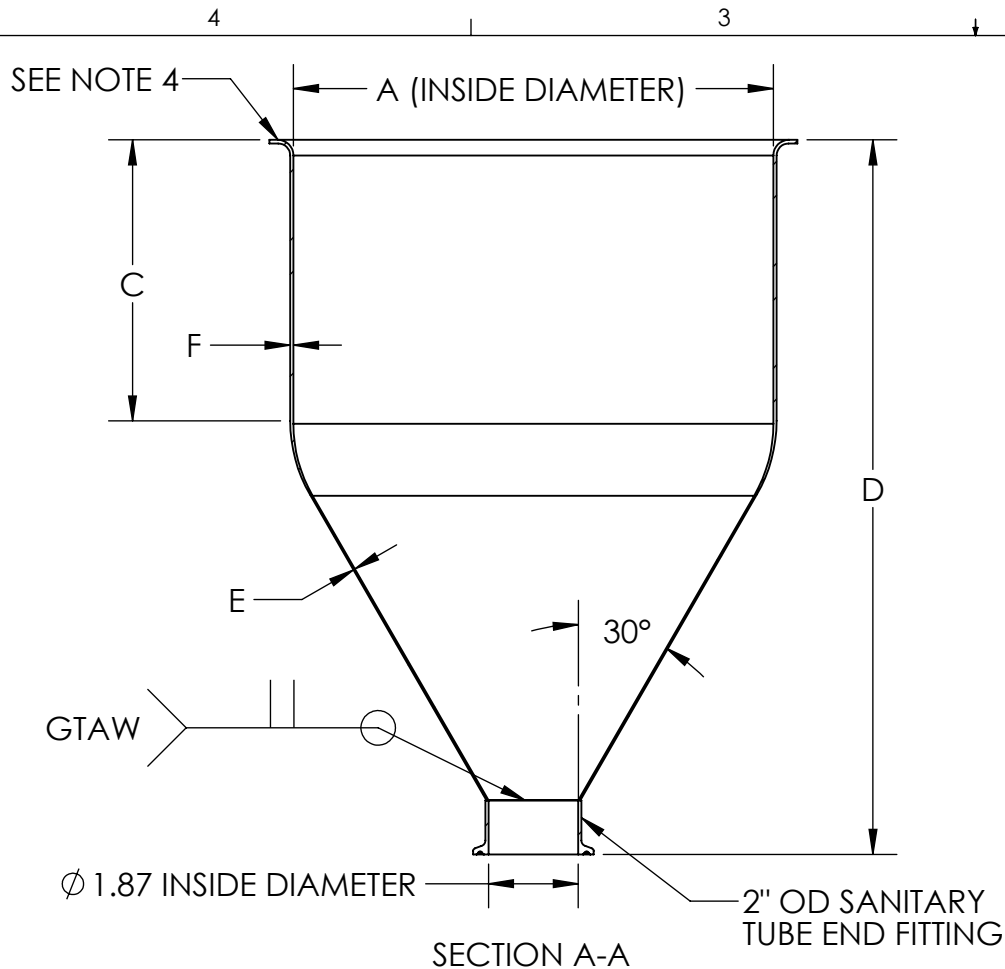
**NOTES UNLESS OTHERWISE SPECIFIED**

- HOPPER IS SEAMLESS, FORMED FROM STAINLESS STEEL SHEET METAL CONTAINING NO WELDS.
- INSIDE FINISH: BRUSHED FINISH TO 32 Ra.
- OUTSIDE FINISH: BRUSHED FINISH TO 125 Ra.
- PART # 104016, 105016, 104015, & 105015 HAS NO FLANGE.
- ALL HOPPERS CAN HAVE A ROLLED AND WELDED CYLINDER ADDED TO INCREASE THE STRAIGHT WALL LENGTH, WITH OR WITHOUT A FLANGE.
- DIMENSIONS ARE IN INCHES.
- NO SHARP EDGES OR BURRS.



Request a quote online at  
[www.toledometal spinning.com](http://www.toledometal spinning.com)  
 or contact sales at 419-214-3245 or  
[sales@toledometal spinning.com](mailto:sales@toledometal spinning.com)

<b>TOLEDO METAL SPINNING EST. 1929</b>	
TITLE: HOPPER WITH WELDED 1.5" TUBE FITTING	
SIZE A	DRAWING NUMBER <b>801D002</b>
FOR REFERENCE ONLY	
SHEET 1 OF 1	



PART # SS 304	PART # SS 316	OLD PART #	Volume (Gallons)	A	B	C	D	E	F
106000	107000	TMS4316	0.2	3.91	4.38	2.98	5.9	0.03	0.05
106001	107001	TMS6414	0.8	6.25	7.25	4.51	9.7	0.04	0.07
106002	107002	TMS9314	1.5	8.85	10.02	2.80	10.2	0.04	0.07
106003	-	TMS9914	3.0	8.85	10.02	8.50	10.2	0.04	0.07
106004	107004	TMS12714	4.9	11.85	13.00	7.10	17.1	0.04	0.07
106005	-	TMS121114	6.7	11.85	13.00	10.77	20.7	0.04	0.07
106006	107006	TMS14514	6.4	14.00	15.13	5.90	17.7	0.04	0.07
106007	-	TMS141214	10.5	14.00	15.13	11.72	23.4	0.04	0.07
106008	107008	TMS16314	7.3	16.00	17.26	3.29	17.2	0.04	0.07
106009	-	TMS16914	12.0	16.00	17.26	8.80	22.7	0.04	0.07
106010	107010	TMS20514	14.7	19.93	21.19	4.33	21.9	0.04	0.07
106011	-	TMS201014	21.0	19.93	21.19	9.23	26.4	0.04	0.07
106012	-	TMS221014	23.0	21.09	22.50	8.33	22.0	0.04	0.07
106013	107013	TMS24614	25.5	24.00	25.25	5.31	26.4	0.04	0.07
106014	-	TMS24914	30.5	24.00	25.25	8.41	29.4	0.04	0.07
106015	107015	TMS32111	33.0	31.83	N/A	1.00	27.0	0.06	0.09
106016	107016	TMS36111	51.1	36.06	N/A	1.00	30.6	0.06	0.09

**NOTES UNLESS OTHERWISE SPECIFIED**

- HOPPER IS SEAMLESS, FORMED FROM STAINLESS STEEL SHEET METAL CONTAINING NO WELDS.
- INSIDE FINISH: BRUSHED FINISH TO 32 Ra.
- OUTSIDE FINISH: BRUSHED FINISH TO 125 Ra.
- PART # 106016, 107016, 106015, & 107015 HAS NO FLANGE.
- ALL HOPPERS CAN HAVE A ROLLED AND WELDED CYLINDER ADDED TO STRAIGHT WALL LENGTH, WITH OR WITHOUT A FLANGE.
- DIMENSIONS ARE IN INCHES.
- NO SHARP EDGES OR BURRS.

Request a quote online at  
[www.toledometal spinning.com](http://www.toledometal spinning.com)  
 or contact sales at 419-214-3245 or  
[sales@toledometal spinning.com](mailto:sales@toledometal spinning.com)

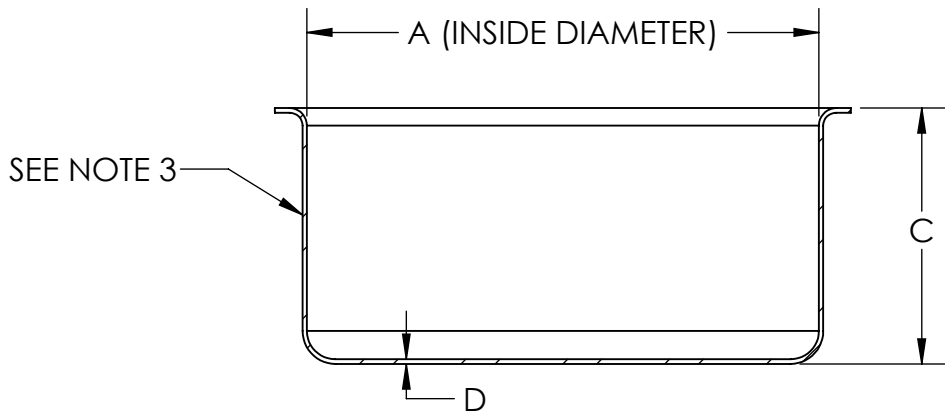
**TOLEDO METAL SPINNING EST. 1929**

TITLE:  
 HOPPER WITH WELDED 2" TUBE FITTING

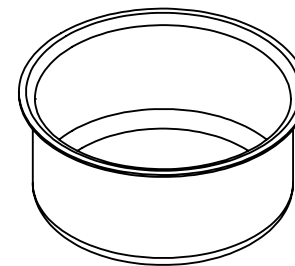
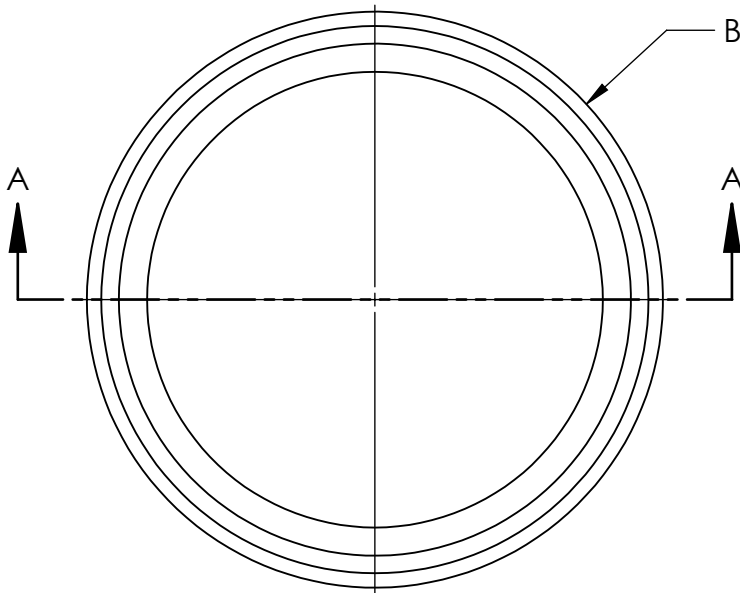
SIZE | DRAWING NUMBER  
 A | **801D003**

FOR REFERENCE ONLY

SHEET 1 OF 1



SECTION A-A



PART # SS 304	PART # SS 316	OLD PART #	VOLUME (GALLONS)	A	B	C	D
200001	201001	TMSCUP4316	0.2	3.88	4.38	3.25	0.06
200003	201003	TMSCUP6414	0.7	6.25	7.25	4.95	0.07
200004	201004	TMSCUP8414	0.9	8.00	9.00	4.00	0.07
200005	201005	TMSCUP9314	1.2	8.85	10.02	4.48	0.07
200006	201006	TMSCUP9914	2.5	8.85	10.02	9.44	0.07
200007	201007	TMSCUP10514	1.7	10.00	11.00	5.13	0.07
200008	201008	TMSCUP12714	3.5	11.83	13.00	7.38	0.07
200009	201009	TMSCUP121114	5.3	11.85	13.00	11.63	0.07
200010	201010	TMSCUP14514	4.1	14.00	15.13	6.375	0.07
200011	201011	TMSCUP141214	8.3	14.00	15.13	12.46	0.07
200012	201012	TMSCUP16314	7.4	16.08	17.26	4.60	0.07
200013	201013	TMSCUP201014	13.3	19.93	21.19	10.00	0.07
200014	201014	TMSCUP221014	15.6	21.38	22.50	10.13	0.07
200015	201015	TMSCUP24614	15.5	24.00	25.25	6.75	0.07

**NOTES UNLESS OTHERWISE SPECIFIED**

- PART IS SEAMLESS, FORMED FROM SHEET METAL CONTAINING NO WELDS.
- FINISH: AS PRODUCED FROM FORMING PROCESSES.
- STRAIGHT WALL THICKNESS IS +/- 10% OF DIMENSION D.
- DIMENSIONS ARE IN INCHES.
- NO SHARP EDGES OR BURRS.

Price or purchase online at  
[www.toledometal spinning.com](http://www.toledometal spinning.com) or  
 contact sales at 419-214-3245 or  
[sales@toledometal spinning.com](mailto:sales@toledometal spinning.com)

<b>TOLEDO METAL SPINNING EST. 1929</b>	
TITLE: SEAMLESS STAINLESS STEEL FLANGED CUPS	
SIZE A	DRAWING NUMBER <b>801D004</b>
FOR REFERENCE ONLY	
SHEET 1 OF 1	

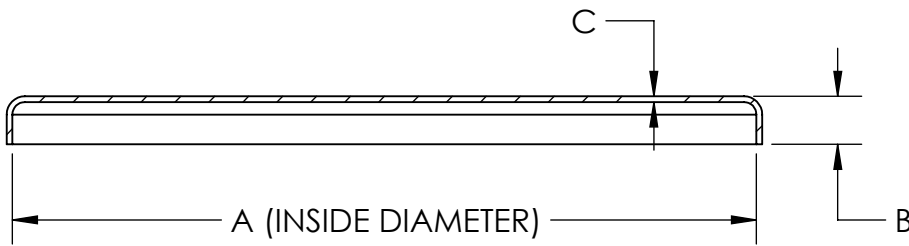
4

3

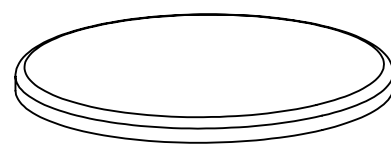
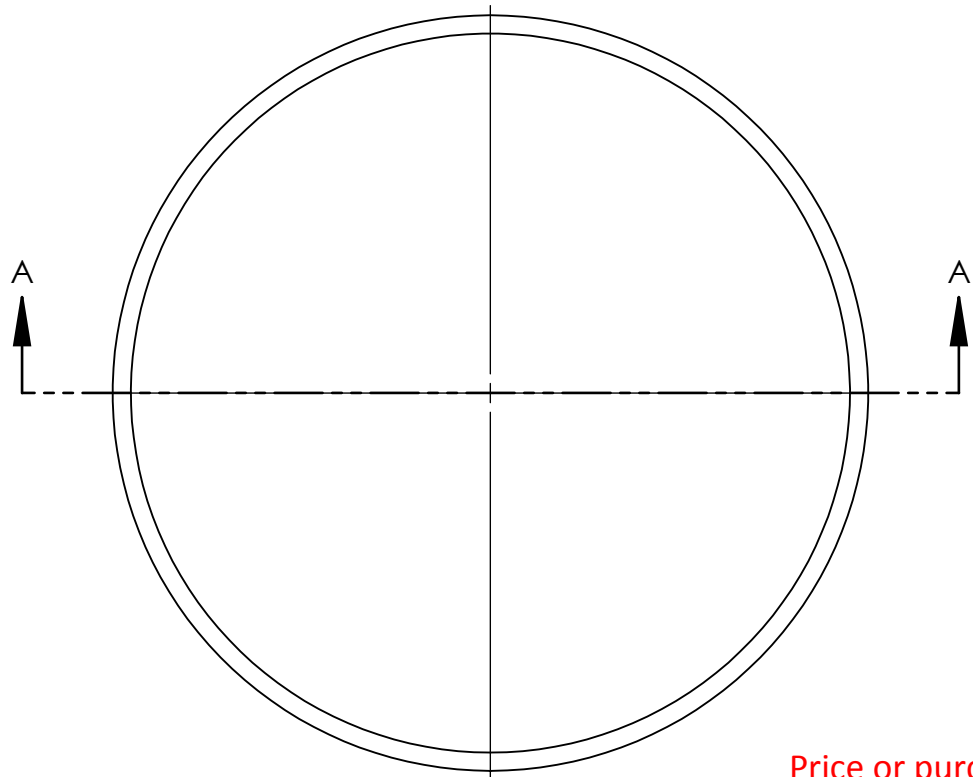
2

1

PART # SS 304	PART # SS 316	OLD PART #	A	B	C
600000	601000	TMSL616	7.75	0.50	0.06
600001	601001	TMSL916	10.13	0.50	0.06
600002	601002	TMSL1216	13.13	0.75	0.06
600003	601003	TMSL1416	15.50	0.75	0.06
600004	601004	TMSL1616	17.55	0.75	0.06
600005	601005	TMSL2016	21.42	0.75	0.06
600006	601006	TMSL2216	23.00	0.75	0.06
600007	601007	TMSL2416	25.97	0.75	0.06
600008	601008	TMSL3616	36.43	1.00	0.06



SECTION A-A



**NOTES UNLESS OTHERWISE SPECIFIED**

1. PART IS SEAMLESS, FORMED FROM SHEET METAL CONTAINING NO WELDS.
2. FINISH: AS PRODUCED FROM FORMING PROCESSES.
3. DIMENSIONS ARE IN INCHES.
4. NO SHARP EDGES OR BURRS.

Price or purchase online at  
[www.toledometal spinning.com](http://www.toledometal spinning.com)  
 or contact sales at 419-214-3245 or  
[sales@toledometal spinning.com](mailto:sales@toledometal spinning.com)

<b>TOLEDO METAL SPINNING EST. 1929</b>	
TITLE: STAINLESS STEEL FLAT LIDS	
SIZE A	DRAWING NUMBER <b>801D005</b>
FOR REFERENCE ONLY	SHEET 1 OF 1

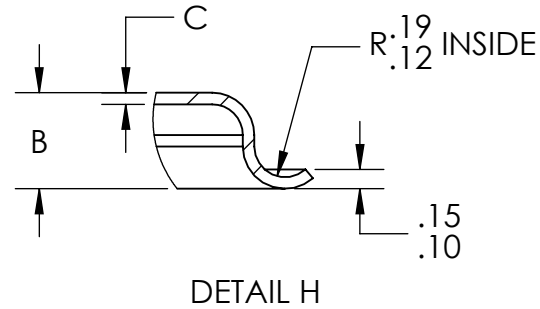
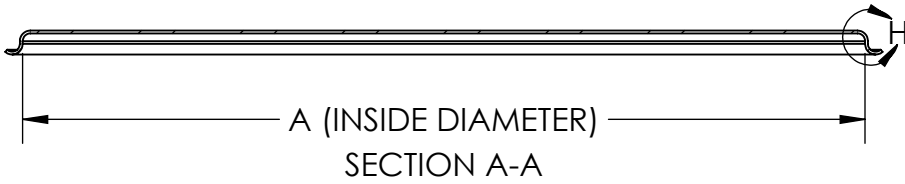
4

3

2

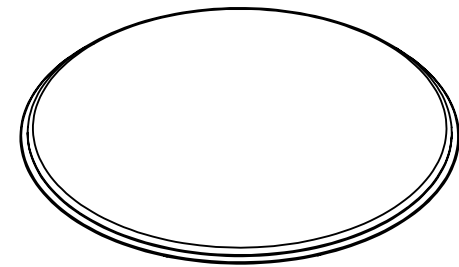
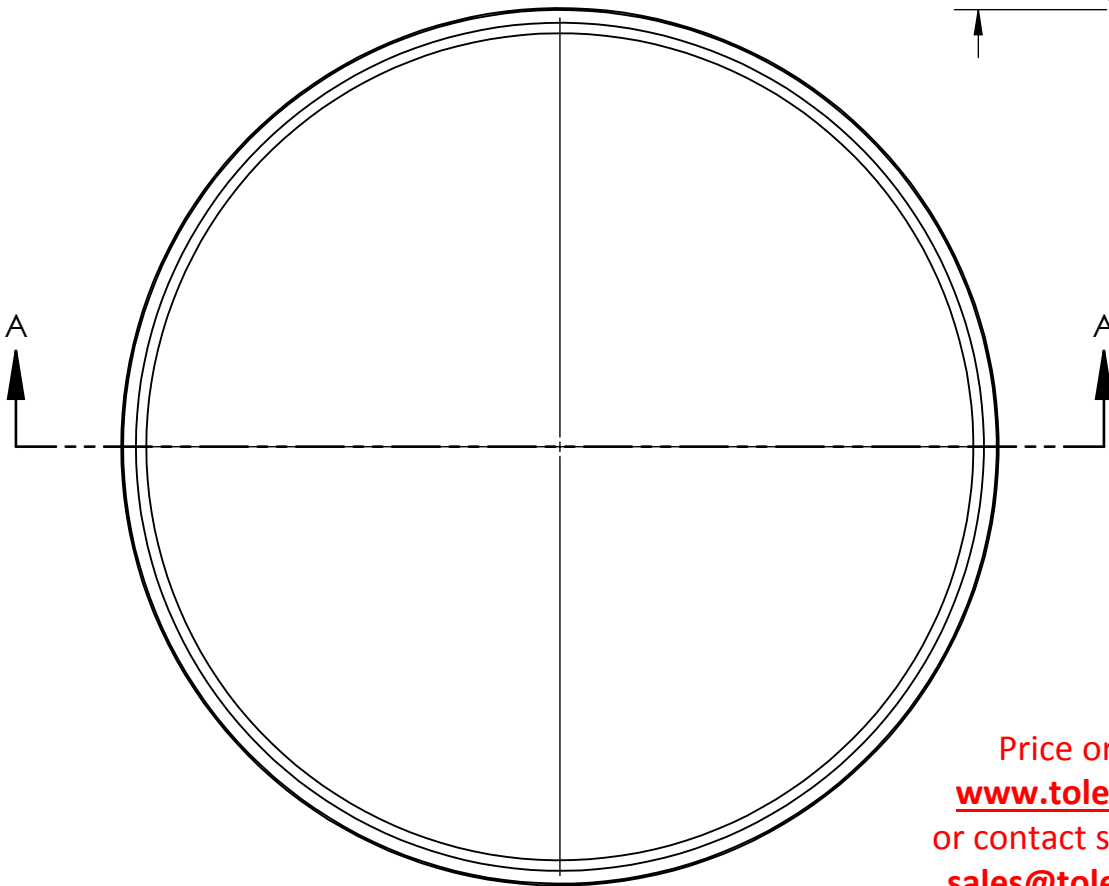
1

PART # SS 304	PART # SS 316	OLD PART #	A	B	C
604000	605000	TMSL616	7.75	0.31	0.06
604001	605001	TMSL916	10.13	0.31	0.06
604002	605002	TMSL1216	13.13	0.56	0.06
604003	605003	TMSL1416	15.50	0.56	0.06
604004	605004	TMSL1616	17.55	0.56	0.06
604005	605005	TMSL2016	21.42	0.56	0.06
604006	605006	TMSL2216	23.00	0.56	0.06
604007	605007	TMSL2416	25.97	0.56	0.06
604008	605008	TMSL3616	36.43	0.81	0.06



**NOTES UNLESS OTHERWISE SPECIFIED**

- PART IS SEAMLESS, FORMED FROM SHEET METAL CONTAINING NO WELDS.
- FINISH: AS PRODUCED FROM FORMING PROCESSES.
- DIMENSIONS ARE IN INCHES.
- NO SHARP EDGES OR BURRS.



**TOLEDO METAL SPINNING EST. 1929**

TITLE:  
STAINLESS STEEL SEAMLESS BEADED LIDS

SIZE A DRAWING NUMBER  
**801D006**

FOR REFERENCE ONLY

SHEET 1 OF 1

Price or purchase online at  
[www.toledometal spinning.com](http://www.toledometal spinning.com)  
or contact sales at 419-214-3245 or  
[sales@toledometal spinning.com](mailto:sales@toledometal spinning.com)

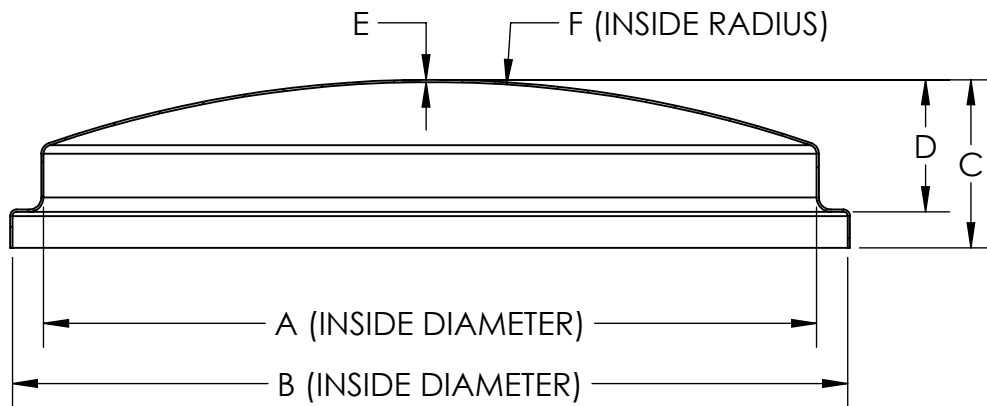
4

3

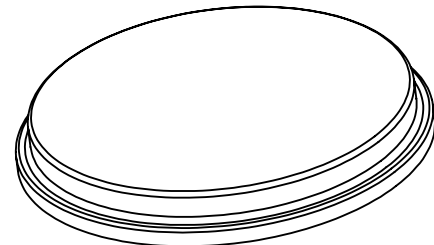
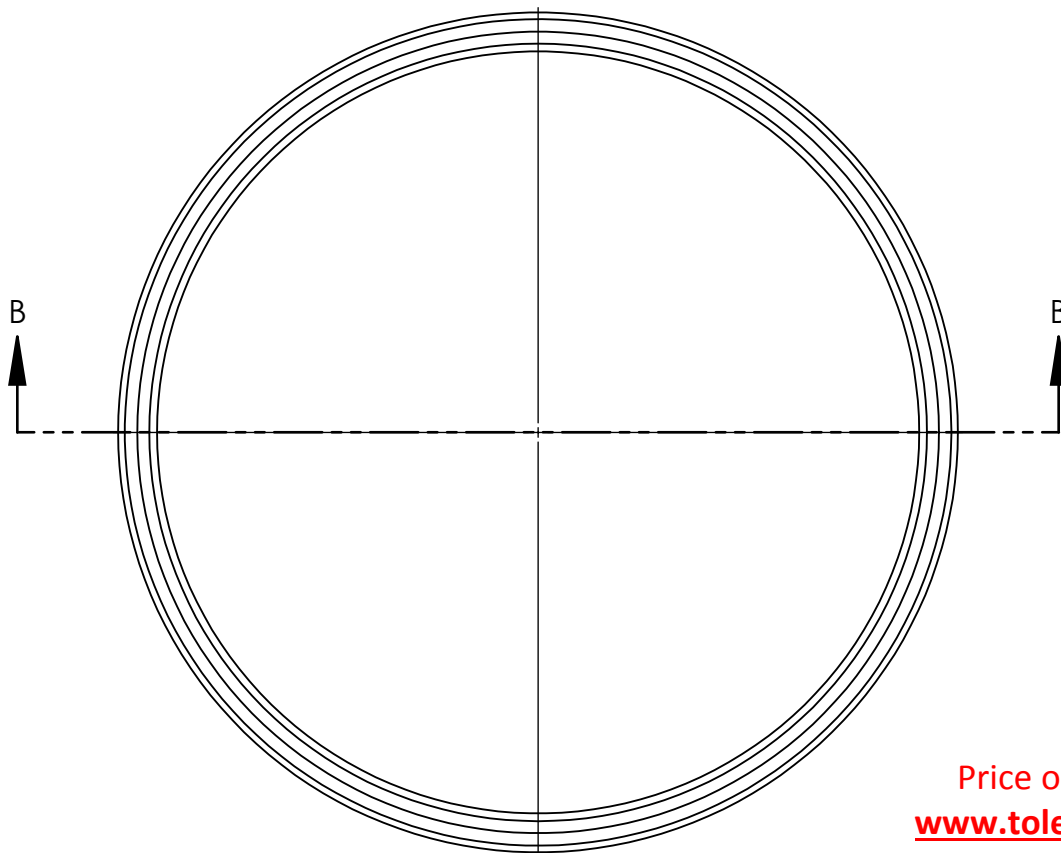
2

1

PART # SS 304	PART # SS 316	OLD PART #	A	B	C	D	E	F
602000	603000	TMSLD1618	16.10	17.40	3.50	2.7	0.048	24.53
602001	603001	TMSLD2418	23.92	25.32	5.20	4.40	0.048	27.00



SECTION B-B

**NOTES UNLESS OTHERWISE SPECIFIED**

1. PART IS SEAMLESS, FORMED FROM SHEET METAL CONTAINING NO WELDS.
2. FINISH: AS PRODUCED FROM FORMING PROCESSES.
3. DIMENSIONS ARE IN INCHES.
4. NO SHARP EDGES OR BURRS.

TOLEDO METAL SPINNING EST. 1929

TITLE:

STAINLESS STEEL SEAMLESS DOMED LIDS

SIZE | DRAWING NUMBER

A | 801D007

FOR REFERENCE ONLY

SHEET 1 OF 1

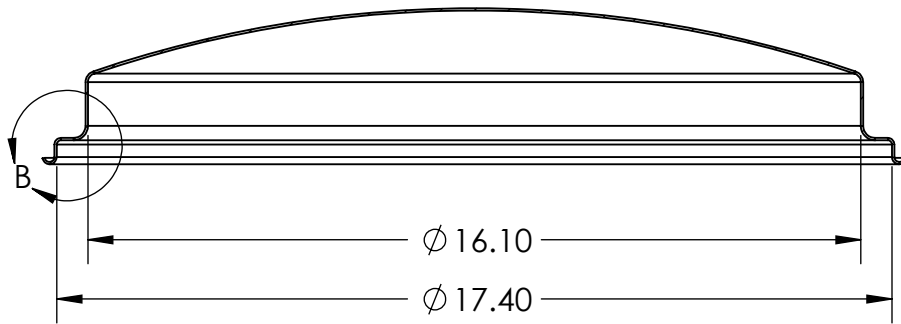
Price or purchase online at  
[www.toledometal spinning.com](http://www.toledometal spinning.com)  
 or contact sales at 419-214-3245 or  
[sales@toledometal spinning.com](mailto:sales@toledometal spinning.com)



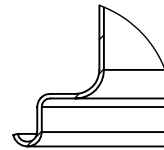
PART # SS 304	PART # SS 316	OLD PART #	A	B	C	D	E	F
606000	607000	TMSLD1618	16.10	17.40	3.50	2.7	0.048	24.53
606001	607001	TMSLD2418	23.92	25.32	5.20	4.40	0.048	27.00

**NOTES UNLESS OTHERWISE SPECIFIED**

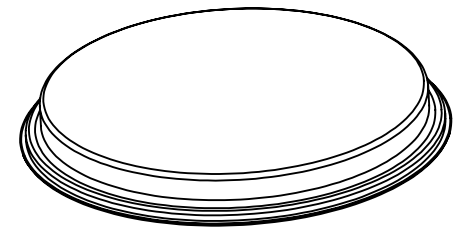
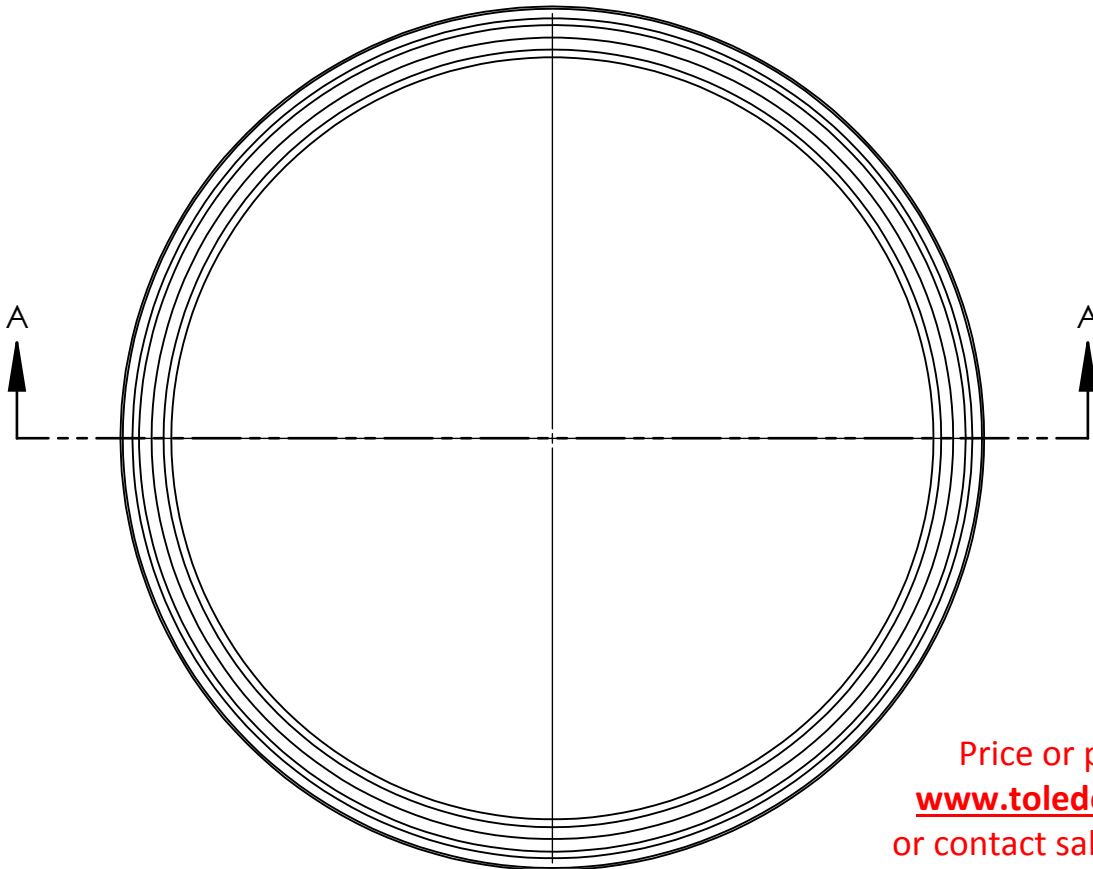
- PART IS SEAMLESS, FORMED FROM SHEET METAL CONTAINING NO WELDS.
- FINISH: AS PRODUCED FROM FORMING PROCESSES.
- DIMENSIONS ARE IN INCHES.
- NO SHARP EDGES OR BURRS.



SECTION A-A



DETAIL B



Price or purchase online at  
[www.toledometal spinning.com](http://www.toledometal spinning.com)  
 or contact sales at 419-214-3245 or  
[sales@toledometal spinning.com](mailto:sales@toledometal spinning.com)

**TOLEDO METAL SPINNING EST. 1929**

TITLE:  
 STAINLESS STEEL SEAMLESS DOME  
 BEADED LIDS

SIZE A DRAWING NUMBER  
**801D008**

FOR REFERENCE ONLY

SHEET 1 OF 1